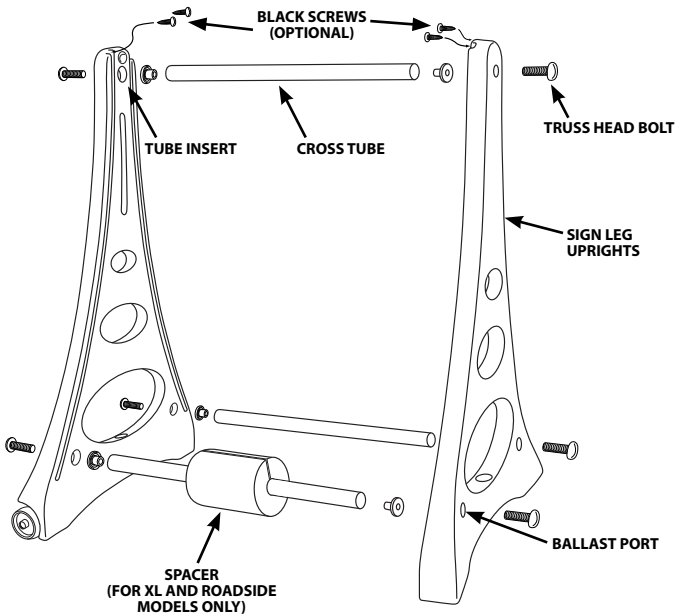


QLA™ User Guide



1. On a level surface attach **Cross Tubes** to **Uprights** using **Cross Tube Inserts** (small bushings) and **Truss Head Bolts**. Put **Tube Insert** into **Cross Tube** (small end in), slide **Cross Tube** into deep recess of **Sign Leg**, insert **Truss Head Bolt** from outside and tighten. Repeat until all 3 **Cross Tubes** are in place in both legs.
ON QLA-XL AND QLA ROADSIDE MODELS: Slide **Spacer** on to center of both lower **Cross Tubes** before attaching to **Uprights**.
2. Slide sign panels into the Sign Channels on the inside of the **Sign Legs**. Make sure to put sign panels on both sides. The **QLA™** will accept corrugated plastic, expanded PVC and most semi-rigid substrates, along with Magic Master® Message Board sign faces and Grip-It® snap frame panels.
3. For security install the 4 **Black Screws** into the holes in the top of the sign channels to keep the sign from pulling out. This is optional.
4. For wind resistance up to 40+ mph add 2-3 quarts of water or sand to each **Sign Leg** through the **Ballast Port** in the bottom oval of each **Sign Leg** by removing the Cap. Sandbags can also be placed across the bottom oval or the sign can be attached to ground stakes.
5. To move the **QLA™** just grip the top of the **Sign Leg** that has wheels, tip the sign onto the wheels and pull to roll sign.

HELPFUL HINTS

- For more interest put a different message on each side of the sign.
- For more variety make reversible sign faces by decorating both sides of the sign face so that the customer can change the message and keep a fresh look.
- Taller sign panels can be used with the top protruding out of the top for more impact.
- Combine graphics with letter tracks and changeable letters or headers to create a custom Message Board sign.
- Use **Grip-It®** snap frame rails to display thin materials like styrene, waterproof card stock, etc. from 0.010" - 0.050" thick.
- Keep message short and simple for maximum impact.

**QLA™ Quick Load A-frame sidewalk/curb signs are designed for winds up to 30 - 40 mph.
In the event of higher winds bring sign inside or add more ballast.**